

2050 SERIES IONISED AIR BLOWERS

The 2050 Series is a range of high specification multi-fan Ionised Air Blowers with integrated power and controls.

High performance ionisation to meet the demanding requirements in the electronics, medical, pharmaceutical and RFID industries.

PERFORMANCE

- High static neutralisation performance with balance of +/- 30 V.
- Built for a long life of many years.

ESSENTIAL QUALITIES

- Adjustable airflow to 170 m³/hr (100 cfm), ball-bearing fan rated at 120,000 hours at 40 °C.
- LEDs showing function OK or out of specification.
- Compact, portable and easy to use, with adjustable stand for mounting.
- Long-life tungsten emitter - replaceable if damaged.

CONNECTIVITY AND CONTROL

- Supplied with 90 V - 250 V, 50/60 Hz power supply.

APPLICATIONS

- Suitable for most industrial and technology applications.
- Position from 200 to 600 mm from material.

VERSIONS

- 2050: 165 mm body. One fan.
- 2052: 505 mm body. Two fans.
- 2053: 775 mm body. Three fans.
- 2054: 1045 mm body. Four fans.



SPECIFICATION

Construction:

Aluminium, adjustable stainless steel stand.

Neutralisation/Charge Reduction:

5000 V to 500 V < 1 second at 300 mm.

Safety:

Visual alarm if there is a fault with high voltage output.

Ion Balance:

The ion balance is factory set to +/- 30 V. Where this is critical it should be checked as required. Balance is adjusted with a 2 mm screw driver.

Air Flow Per Fan:

Adjustable up to max of 170 m³/hr. (100 cfm).

Noise:

Low speed: 45 dB. High speed: 56 dB.

Electrical Input:

The 2050 Blowers operate with 12 V DC. A 90 V - 250 V, 50/60 Hz mains adapter is supplied with the equipment. The 2050 must be earthed, an earth lead is provided.

Environmental:

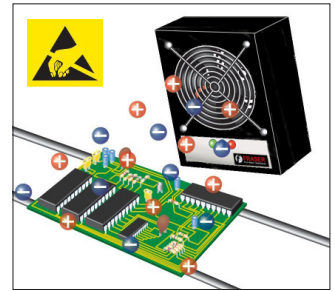
0 - 60 °C temperature, 70 % rH non-condensing max.

Options:

Filter, with replaceable element.

HOW IT WORKS

An integrated power supply generates high voltage which is transmitted to emitters around the axial fan to create ionised air. The airflow from the fan transports the ionised air to the object to be neutralised.



APPLICATIONS

The balanced and controlled ionised air produced by the 2050 Series was originally designed to meet the exacting requirements of the electronics industry, but its power and performance allows it to be used in many other areas of industry:

Pharmaceutical and Medical: Neutralising the charge on packaging and in production.

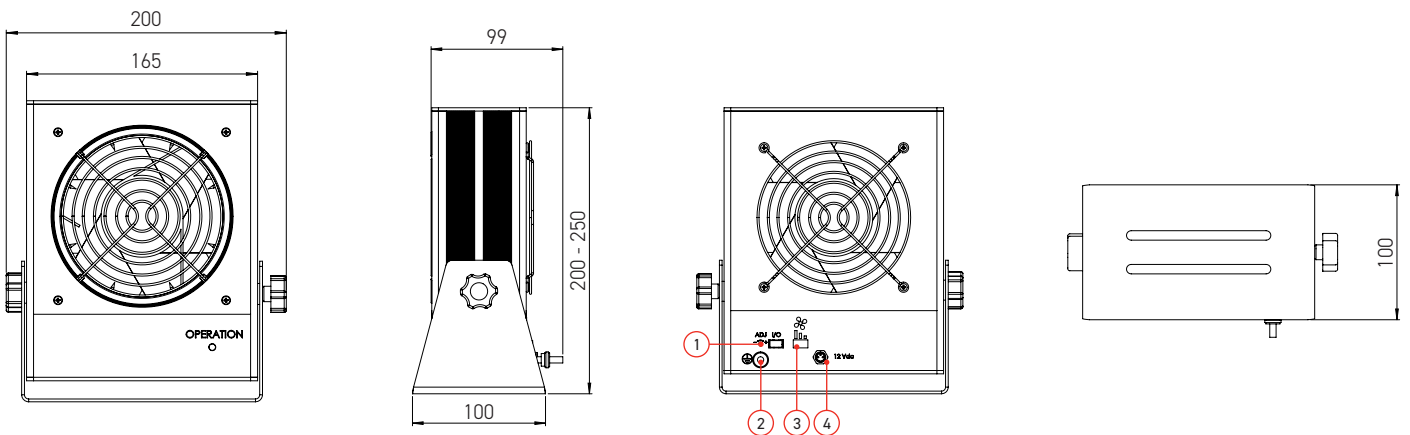
Plastics: On injection mouldings, extrusions, bottles.

General Industry: Automated lines, bowl feeders.

Packaging: Wrapping machines, thermoforming.

DIMENSIONS

2050



- 1. Balance adjuster
- 2. Earth terminal
- 3. Speed selector
- 4. Power connector

2052/2053/2054

Available lengths (dimension A): 2052 = 505 mm 2053 = 775 mm 2054 = 1045 mm

