



IML ACCESSORIES



Fraser static control equipment has been designed to give you many years of productive service. However, the science of static control has unique rules which must be followed to allow the equipment to give a good return on your investment. Please read the following operating and maintenance instructions carefully.

Contents	Page
1 Introduction	4
2 Safety	5
3 Operation	5
4 Maintenance	6
6 Accessories	7

1. Introduction

The IML system is intended for use with the Fraser IONFIX Compact 20 W generator, operating at up to 30 kV. It consists of high voltage distribution and connection assemblies allowing the connection of multiple charging electrodes to a single generator.

The design and manufacture of the IML charging system will vary from job to job. We recommend that you discuss the design with Fraser or a Fraser distributor to make sure that you are using the equipment optimally.

1.1. Checking on Delivered Equipment

Before starting the installation please check that the Generator or IML Equipment has not been damaged in transit. If the packaging material is damaged please report this immediately to the vendor.

Explanation of Symbols

Throughout this manual the following symbols are used to draw attention to important information.



Warning: This symbol refers to operations which, if carried out improperly, may result in serious personal injuries.



Caution: This symbol refers to operations which, if carried out improperly, may result in damage to property.



Information: This symbol refers to information which relates to obtaining the best performance and operating life from the product.

2. Safety

The IML system is specified for use only with the Fraser IONFIX Compact generator, it should be installed by a suitably qualified person.

It is important that the IML equipment is not accessible by un-qualified personnel once installed.



The IML equipment is not shockless, contact with the electrodes when the system is energised should be avoided.



These and the operating instructions for the IONFIX Generator should be fully read and understood prior to installation and operation.

3. Operation

3.1 Voltage

The IONFIX Compact is adjustable from 0 - 30 kV.

For in-mould charging 30 kV is much too high and risks damaging the equipment through sparks and electrical breakdown.

For in-mould charging equipment the maximum voltage rating for Fraser IML Accessories is 20 kV and the typical working voltage will probably be much less - usually between 10 - 15 kV. The actual voltage required will be determined by experiment.



A voltage over 20 kV must not be used with Fraser IML Accessories.

3.2 Earth Proximity

It is important to maintain a suitable distance between earthed parts of the machine and the high voltage IML Accessories to prevent breakdown and tracking.

4. Maintenance



WARNING: Turn off the high voltage at its source before conducting any maintenance.

All high voltage equipment should be kept clean and dry. This particularly applies to connectors. Dirt and other contaminant on the insulative parts of the connector highlighted in the photo opposite could lead to tracking and electrical breakdown

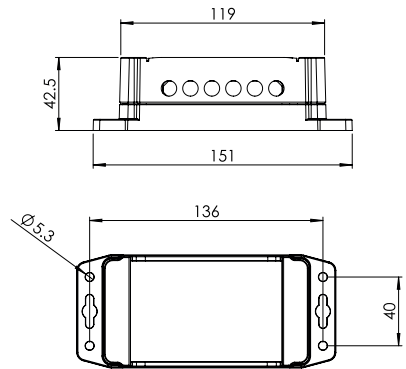
To ensure best performance, the equipment should be visually inspected on a regular basis and cleaned whenever convenient.

A cleaning kit is available from Fraser, part number 81220. This is the ideal solution for regular Bar cleaning. Alternatively a toothbrush or soft nailbrush can be used. Do not use a wire brush as this may cause damage to the equipment.

Alternative cleaning materials are warm soapy water, or isopropyl alcohol (IPA).

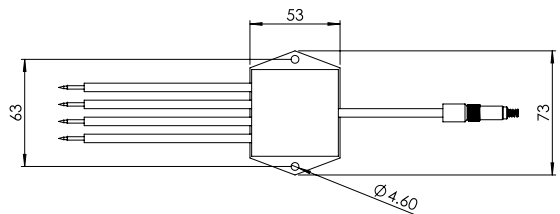
7700 Specification

Material:	Polycarbonate, UL 94 V-0 Rated.
Environmental:	0 - 55 °C. RH 70% maximum, non-condensing.
Voltage Rating:	Maximum 20 kV.
Weight of Box:	190 g.



7701 Specification

Material:	ABS, UL 94 V-0 Rated.
Environmental:	0 - 55 °C. RH 70% maximum, non-condensing.
Voltage Rating:	Maximum 20 kV.
Weight of Box:	120 g.



4. Accessories

	Silicon Cable	81319
	Emitter Pins	81036PLATED
	Connector to connect into IONFIX Generator	73021
	Connector to connect into 7700 Connector Box	77020
	Static Dissipative Foam (0.9 m x 1.0 m)	7400

For more information about static and to view the full range of our products, please visit www.fraser-antistatic.com



Scotts Business Park, Bampton, Devon, GB, EX16 9DN
T + 44 (0) 1398 331114 F + 44 (0) 1398 331411
E sales@fraser-antistatic.co.uk W www.fraser-antistatic.com
