

# SOLUTIONS TO STATIC PROBLEMS PRINTING PRINT FINISHING

Static electricity causes problems throughout the print finishing industry. The sketches below show typical problems. Fraser offers high performance solutions to all of these problems.

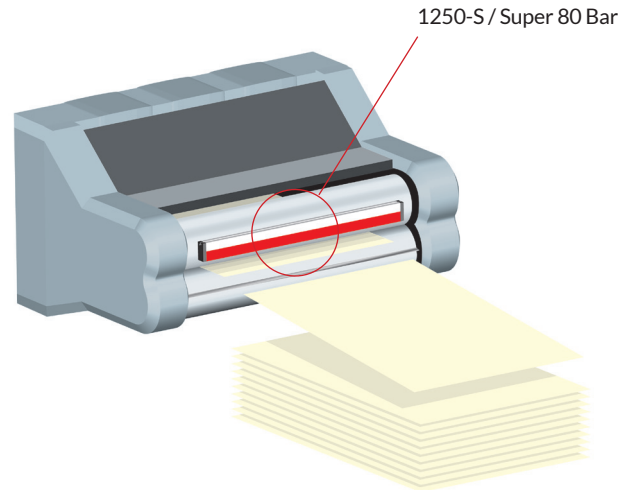
## Sheeters

Sheet cutters are used on web offset printers and digital printing to transform the printed web into sheets.

They are also used in other processes to transform material into sheets. With plastic materials the process can be extremely static generative.

It is nearly always best to use a short range 1250-S / or Super 80 Static Eliminator Bar if they can be positioned correctly.

If this is not possible then consider an Ionstorm Long Range Bar.



## Folder

Folders are used in offset sheet fed printing and also in digital printing for documents. If the paper does not hit the top of the folding plate, a 1250-S Bar should be positioned at the bottom of the slats to neutralise the sheet on the way up.

If the folded signature sticks to others on the delivery side position a 1250-S Bar to neutralise it as it exits the nip rollers, as shown here.

